



# INSTALLATION INSTRUCTIONS

Accessory

**SUBWOOFER**

Application

**2006 ODYSSEY**

Publications No.

**All 30393**

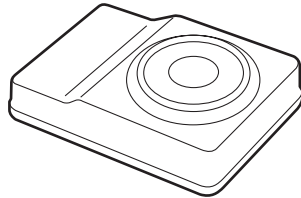
Issue Date

**AUG 2005**

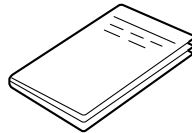
## PARTS LIST

**Compact Subwoofer Kit:  
P/N 08A39-5E1-010**

Subwoofer

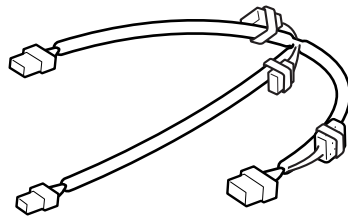


Owner's manual

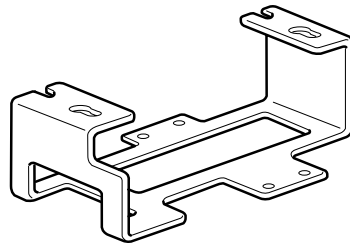


**Subwoofer Attachment Kit:  
P/N 08B39-SHJ-100**

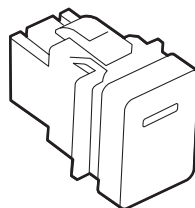
Subwoofer harness



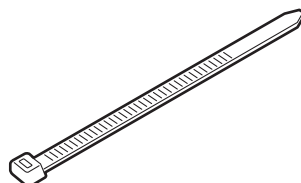
Subwoofer bracket



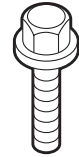
Subwoofer switch



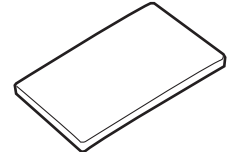
21 Wire ties



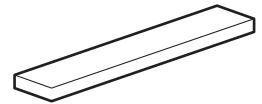
4 Flange bolt, 6 x 12 mm



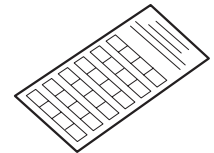
3 Cushion tapes



3 Cushion



Fuse label



## TOOLS AND SUPPLIES REQUIRED

#2 Phillips screwdriver

Flat-tip screwdriver

Stubby Phillips screwdriver

8 mm and 10 mm Combination wrenches

8 mm, 10 mm and 14 mm Sockets

Isopropyl alcohol

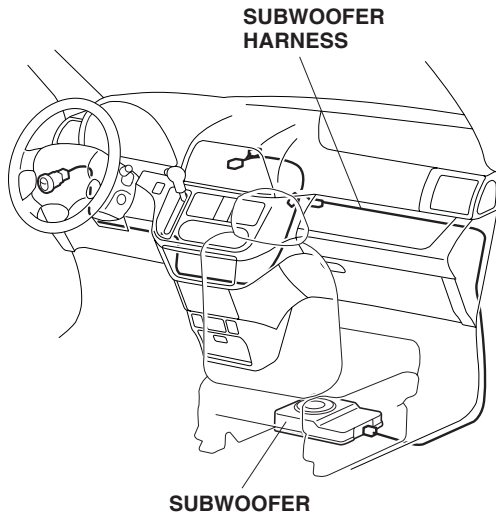
Tape measure

Ratchet

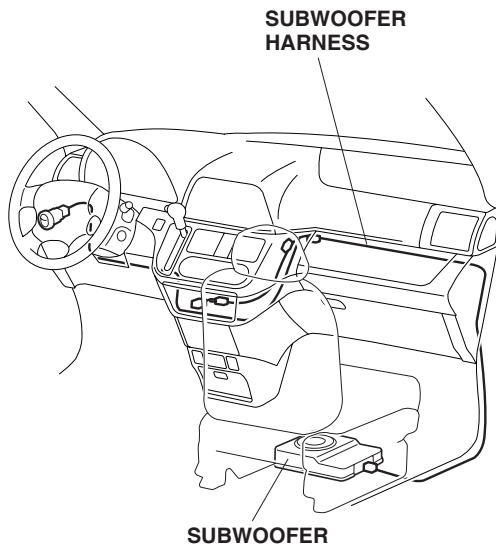
Shop towel

## Illustration of the Subwoofer Installed on the Vehicle

### Without Navigation System



### With Navigation System



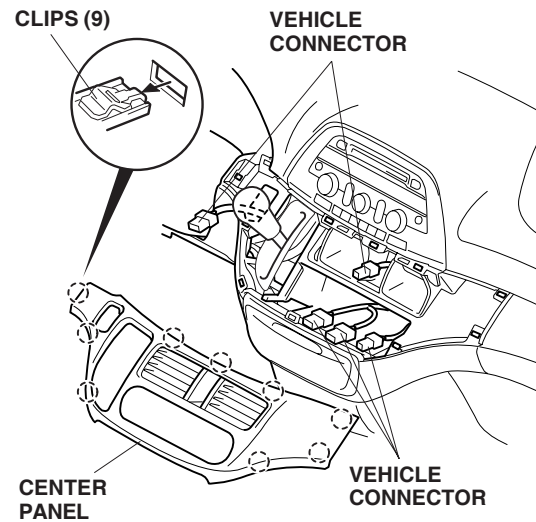
## INSTALLATION

**Customer Information:** The information in this installation instruction is intended for use only by skilled technicians who have the proper tools, equipment, and training to correctly and safely add equipment to your vehicle. These procedures should not be attempted by "do-it-yourselfers."

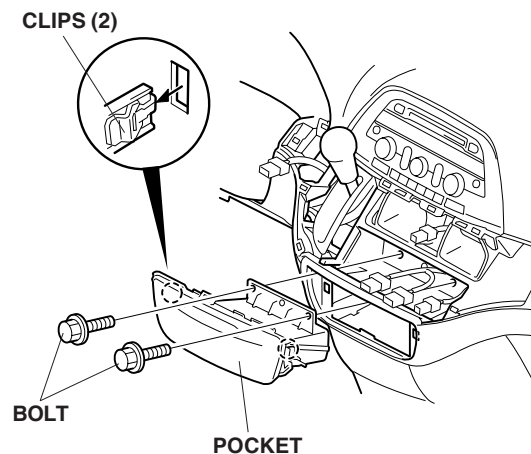
1. Make sure you have the anti-theft code for the radio, then write down the radio station presets.
2. Place the shift lever in the N (neutral) position.
3. Disconnect the negative cable from the battery.

**If the vehicle you are working on is equipped with a navigation system, go to step 7; otherwise, continue with step 4.**

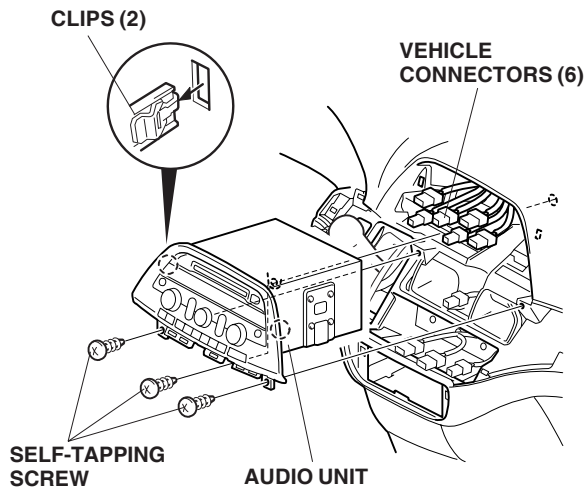
4. Remove the center panel (nine clips and disconnect the connectors).



5. Remove the pocket (two bolts, two clips).

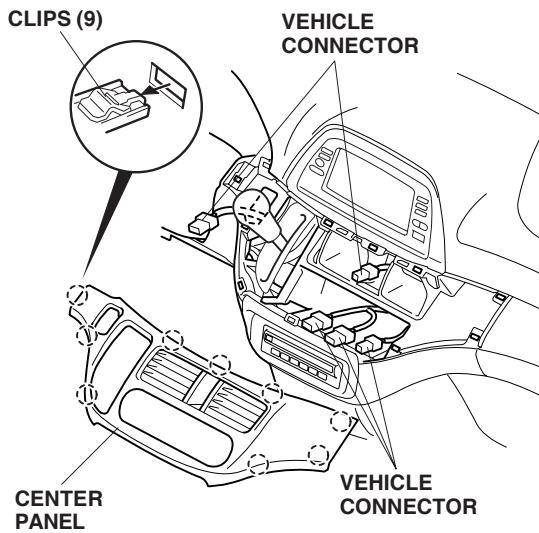


- Remove the audio unit (three self-tapping screws, two clips, and disconnect the vehicle connector).



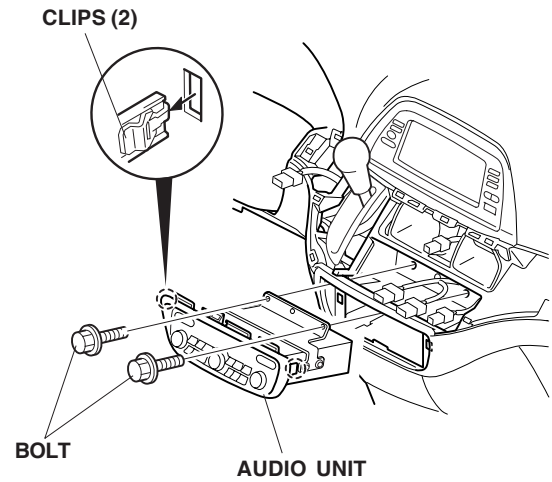
***If the vehicle you are working on is not equipped with a navigation system, go to step 10; otherwise continue with step 7.***

- Place the shift lever in the N (neutral) position.

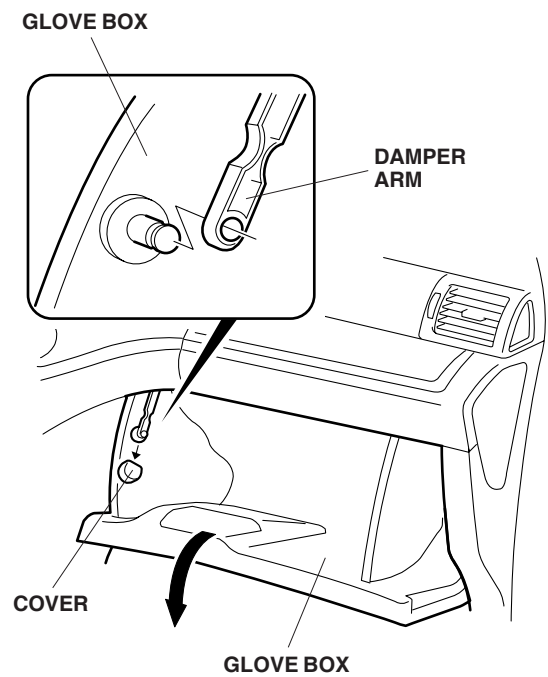


- Remove the center panel (nine clips and disconnect the connectors).

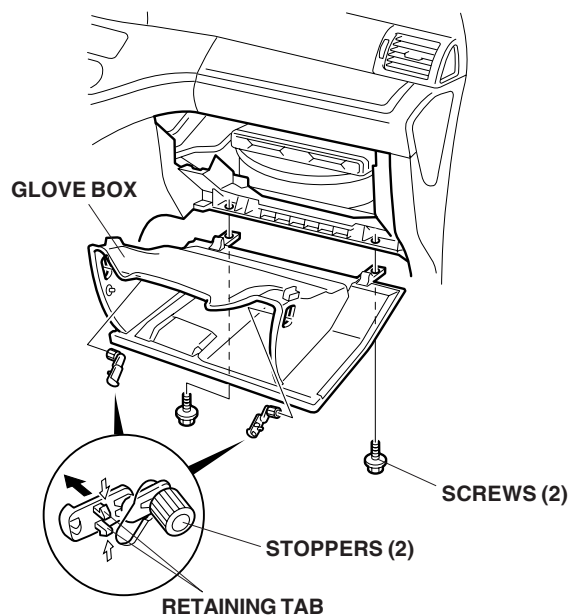
- Remove the audio unit (two bolts, two clips).



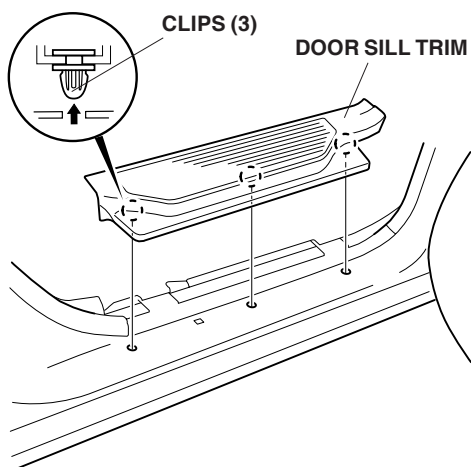
- Remove the damper arm cover and disconnect the arm.



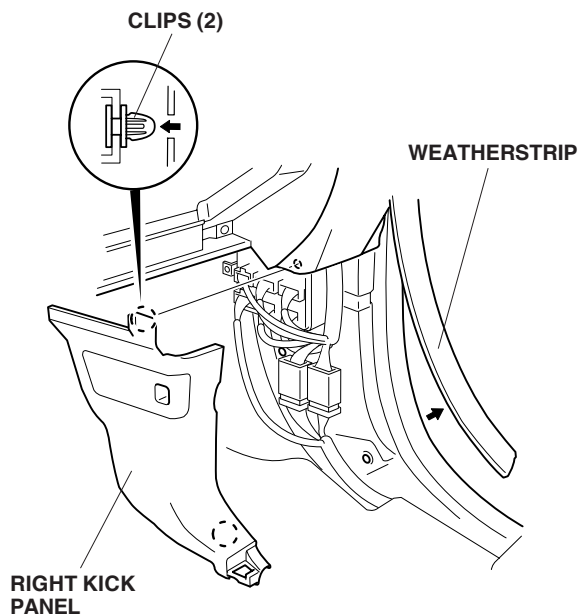
11. Open the glove box, and remove the two stoppers by releasing the two retaining tabs. Remove the two screws that fasten the glove box, and remove the glove box.



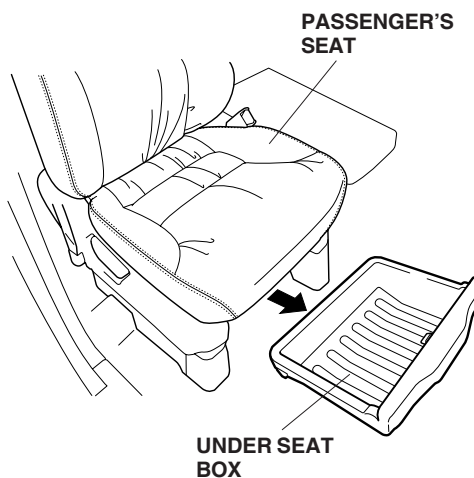
12. Remove the right front door sill trim (three clips).



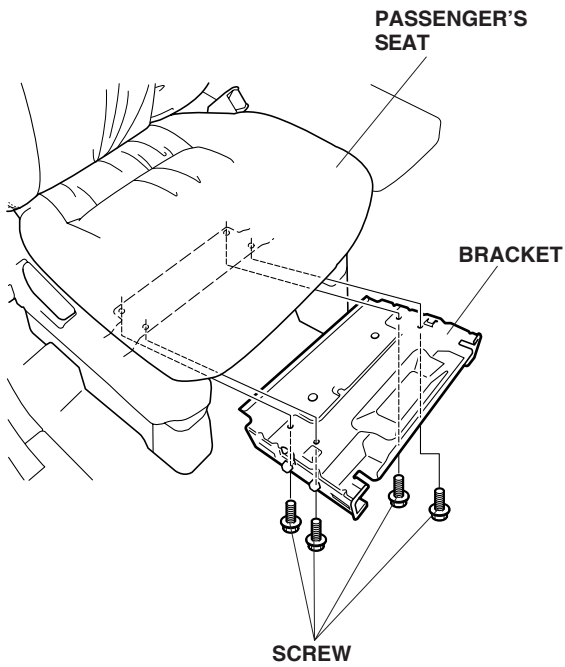
13. Pull out the weatherstrip around the right kick panel. Remove the right kick panel (two clips).



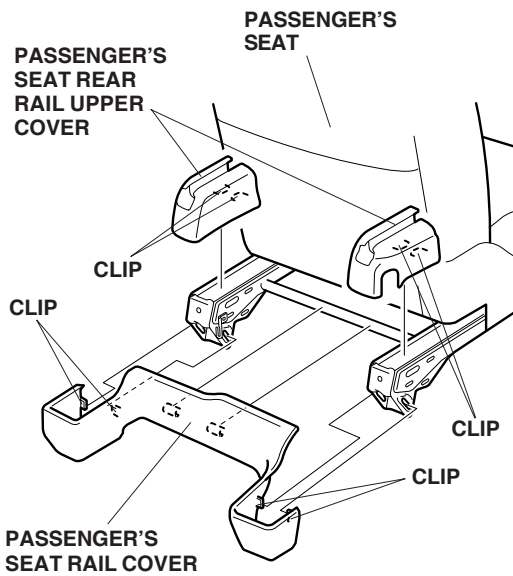
14. If equipped, remove the seat under box.



15. If equipped, remove the under seat box bracket (four screws).

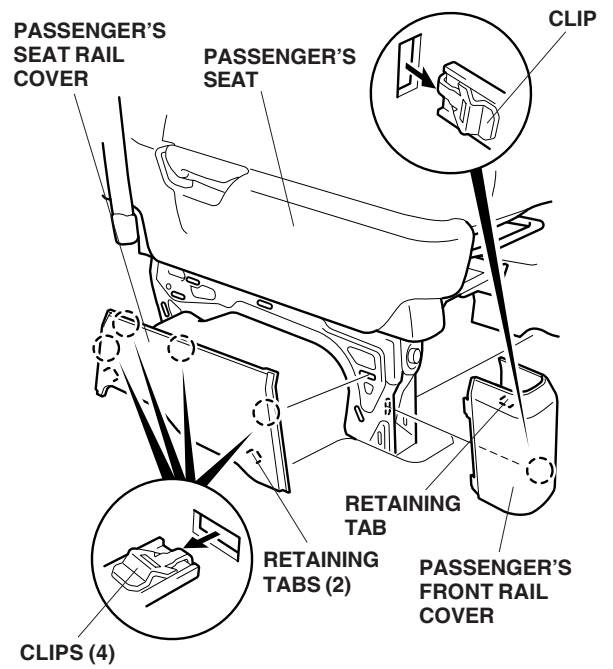


16. Remove the passenger's seat rear rail upper cover (four clips).



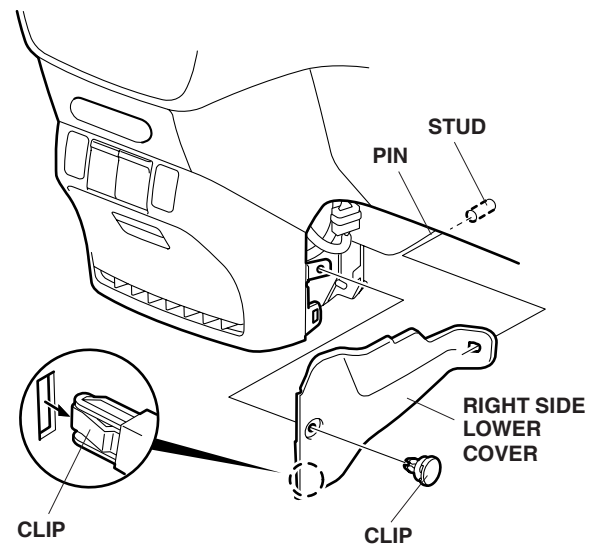
17. Remove the passenger's seat rear rail cover (four clips).

18. Remove the passenger's seat front rail cover (one clip and one retaining tab).

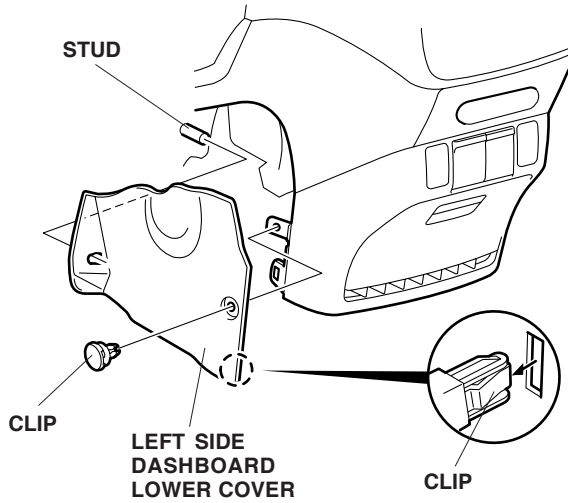


19. Remove the passenger's seat side rail cover (four clips and two retaining tabs).

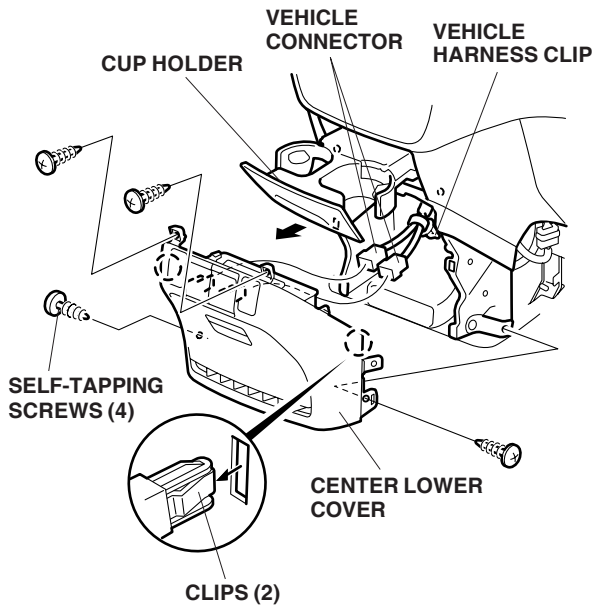
20. Remove the right side lower cover (one clip, one retaining clip, and remove from the stud).



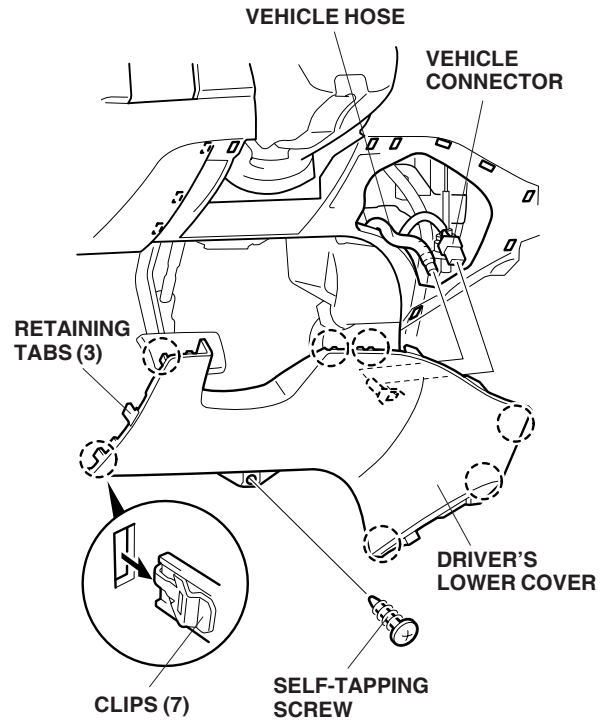
21. Remove the left side dashboard lower cover (one clip, one retaining clip and remove from the stud).



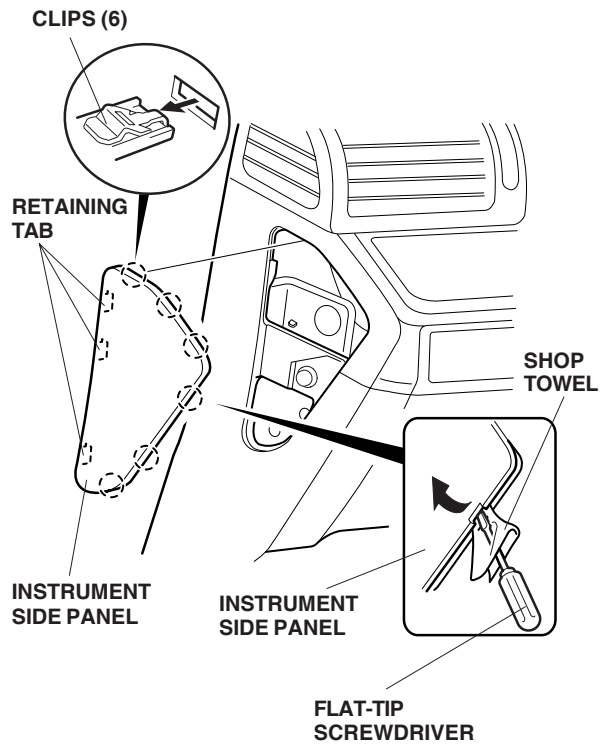
22. Pull out the cup holder. Remove the four self-tapping screws, and disengage the two retaining clips, then pull out the center lower cover toward you. Remove the clip from the vehicle's harness, disconnect the two vehicle harness connectors, and remove the center lower cover.



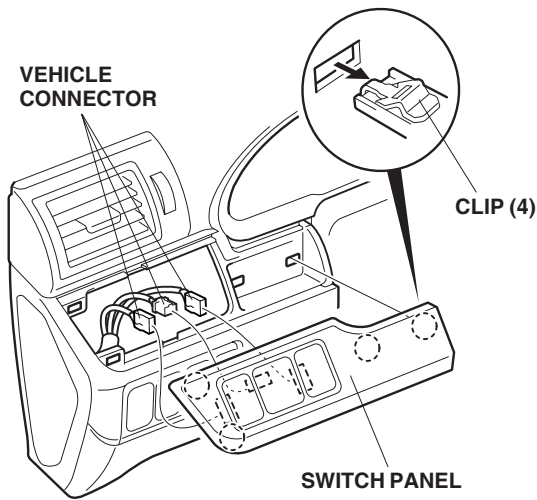
23. Remove the driver's lower cover (one self-tapping screw, seven clips, and three retaining tabs).



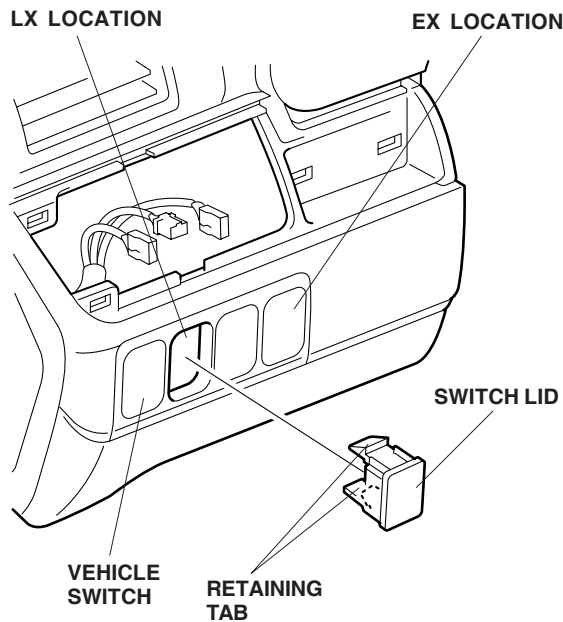
24. Remove the six clips and the three retaining tabs, then remove the instrument side panel.



25. Remove the switch panel (four clips, pull out the switch panel and disconnect the vehicle connectors).



26. Remove the switch lid (two retaining tabs).

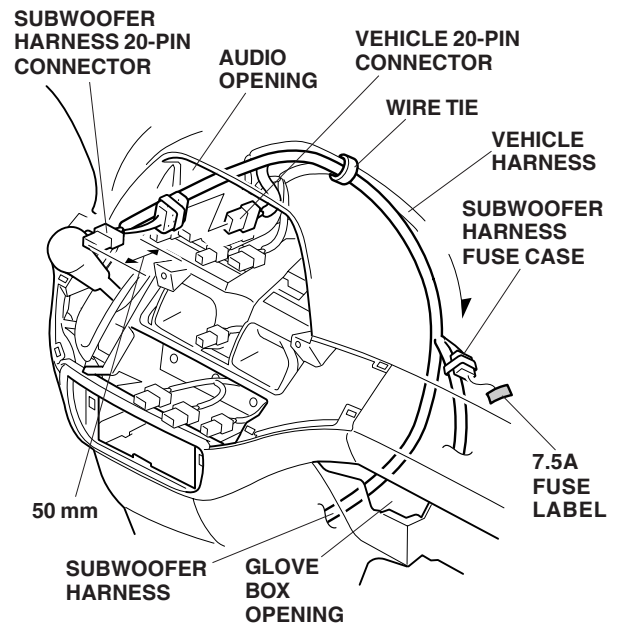


## Routing the Subwoofer Harness

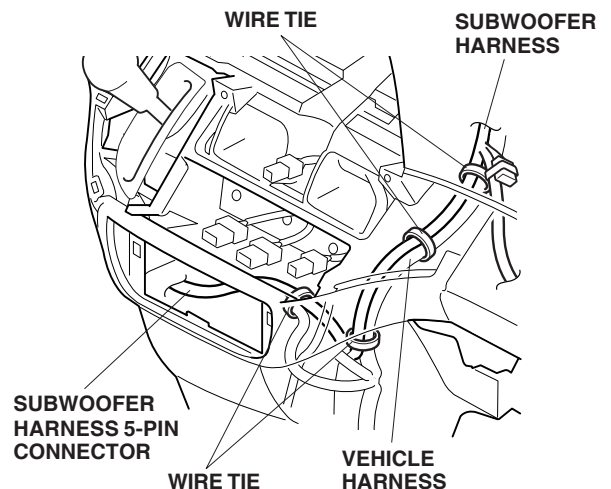
27. Route the subwoofer harness.

### Without Navigation:

- Insert the 20-pin connector of the subwoofer harness into the 20-pin connector of the vehicle at the audio opening, and route it to the glove box opening.
- Secure the subwoofer harness with a wire tie to the vehicle harness.
- Attach the 7.5 A fuse label to the subwoofer harness fuse case.

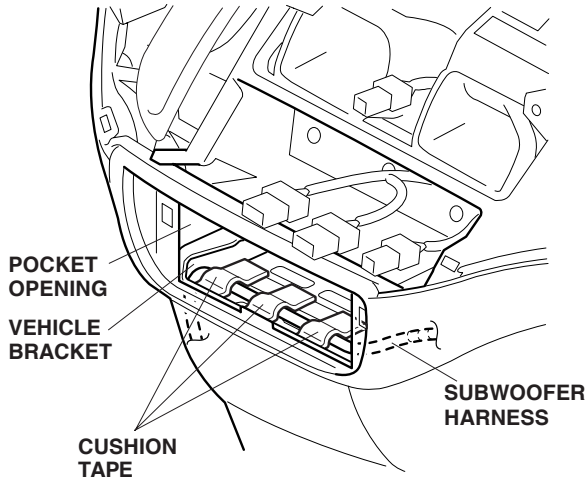


- Route the 5-pin connector side from the subwoofer harness as shown, and secure it to the vehicle harness with four wire ties.



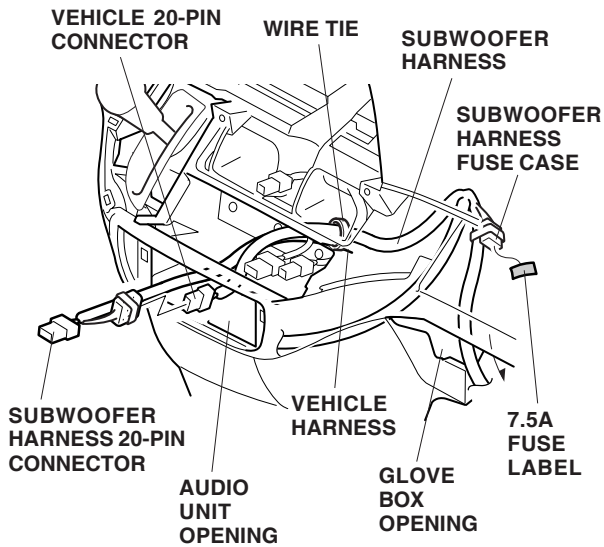


- Secure the subwoofer harness to the vehicle bracket with the three cushion tapes.

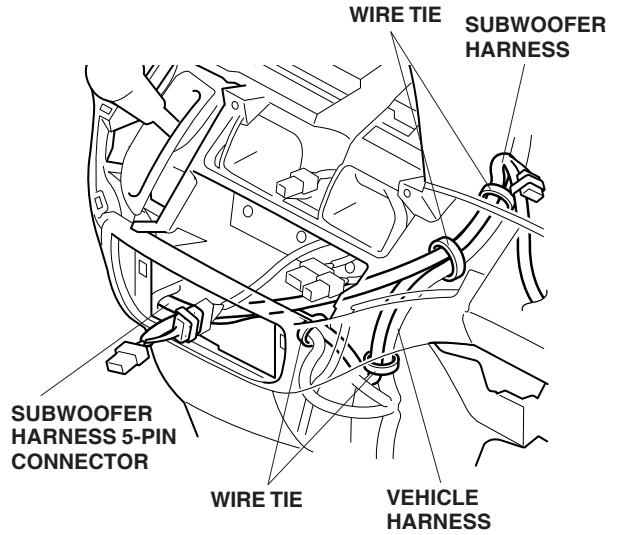


**With Navigation:**

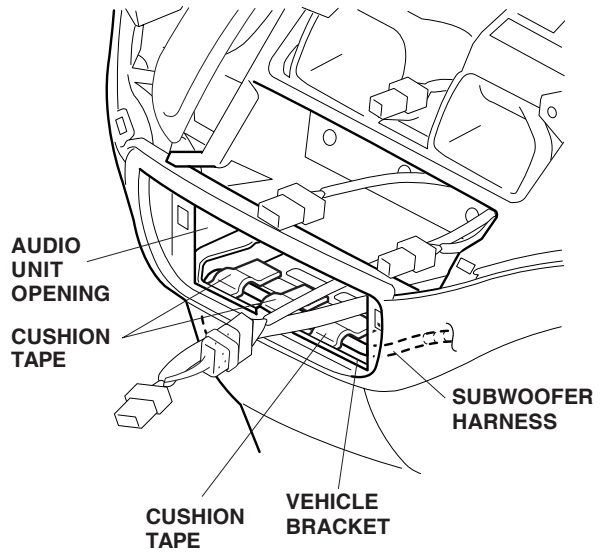
- Insert the 20-pin connector from the harness into the vehicle 20-pin connector at the audio unit opening, and route the 20-pin connector toward the glove box opening.
- Secure the subwoofer harness with a wire tie to the vehicle harness.
- Attach the 7.5 A fuse label to the subwoofer harness fuse case.



- Route the 5-pin connector side from the subwoofer harness as shown, and secure it to the vehicle harness with four wire ties.

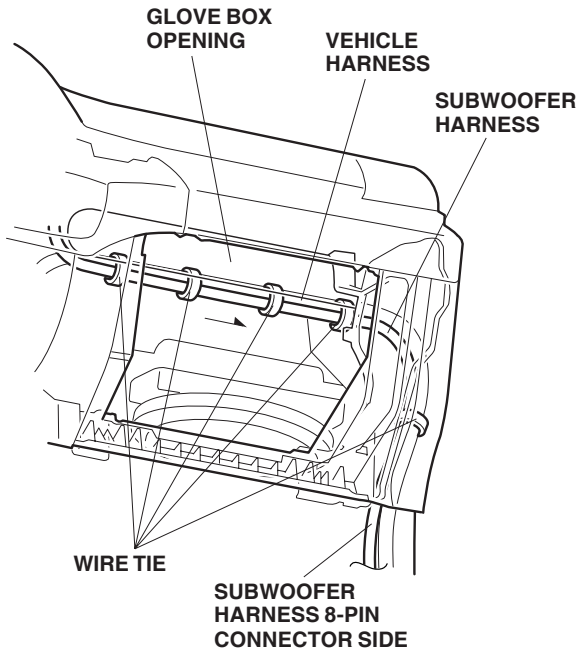


- Secure the subwoofer harness to the vehicle bracket with the three cushion tapes.

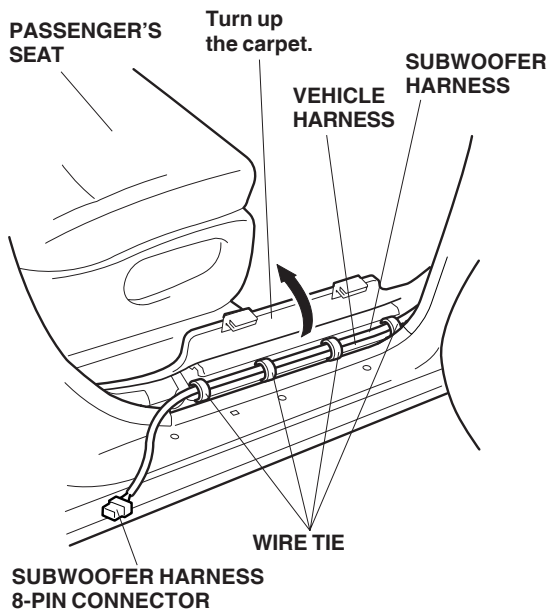




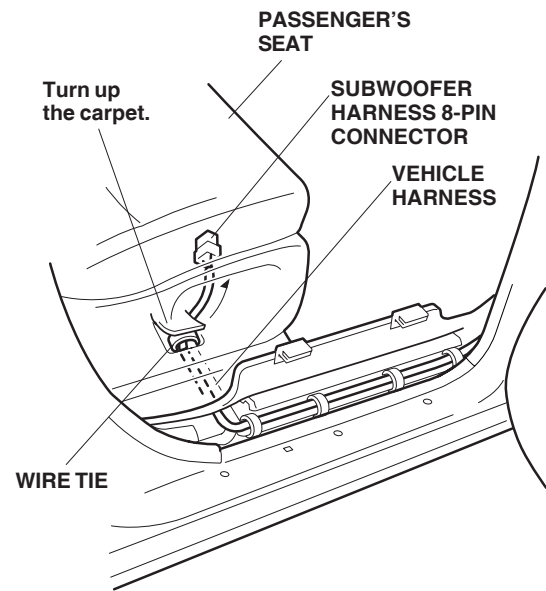
28. Route the 8-pin connector side from the subwoofer harness as shown, and secure it to the vehicle harness with five wire ties.



29. Continue routing the 8-pin connector side from the subwoofer harness along the vehicle harness, and secure the harness with four wire ties.

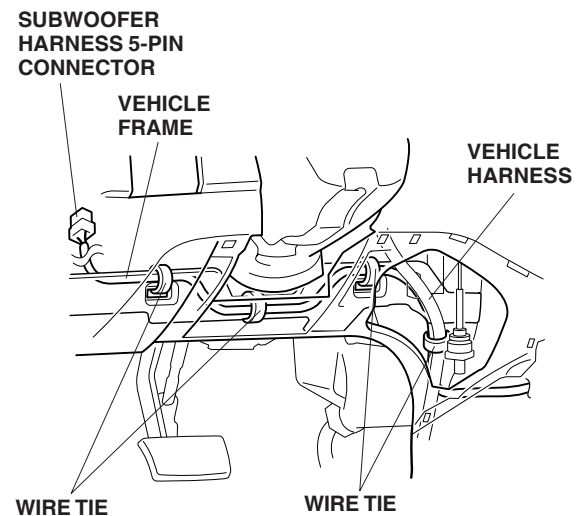


30. Turn up the floor carpet and pull out the 8-pin connector from the subwoofer harness out from under floor carpet opening under the passenger's seat.



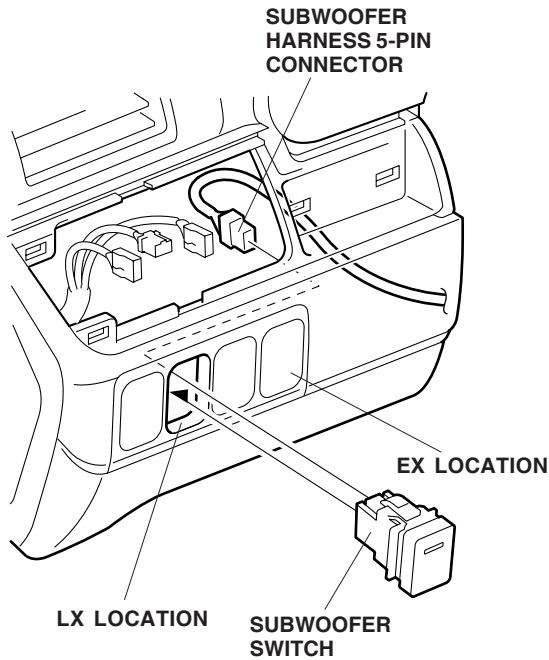
31. Secure the subwoofer harness to the vehicle harness with one wire tie near the floor carpet opening.

32. Route the 5-pin connector side from the subwoofer harness along the vehicle harness and secure to the vehicle harness with two wire ties.

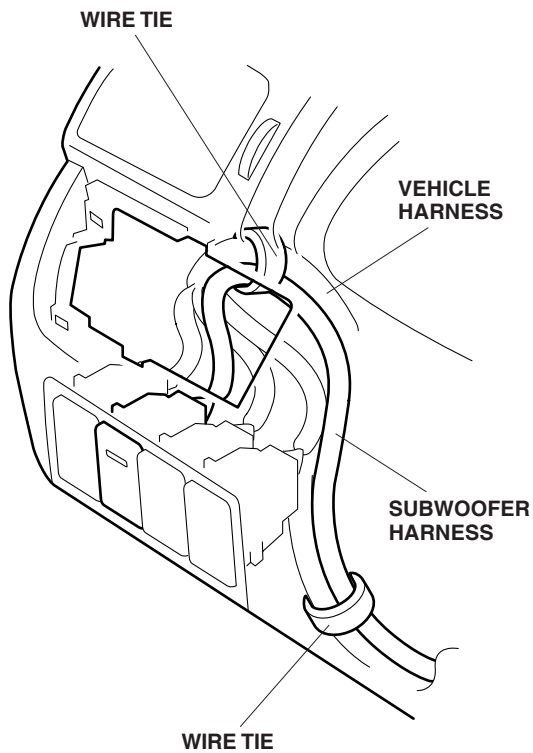


33. Continue routing the 5-pin connector side of the subwoofer harness along the vehicle harness, and secure it to the vehicle frame with two wire ties.

34. Install the subwoofer switch into the hole in the switch lid. Connect the 5-pin connector from the subwoofer harness to the subwoofer switch.

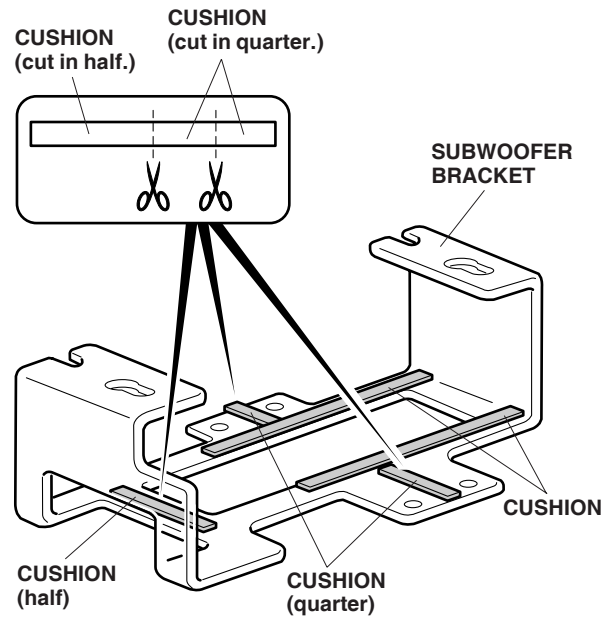


35. Secure the subwoofer harness with two wire ties to the vehicle harness.



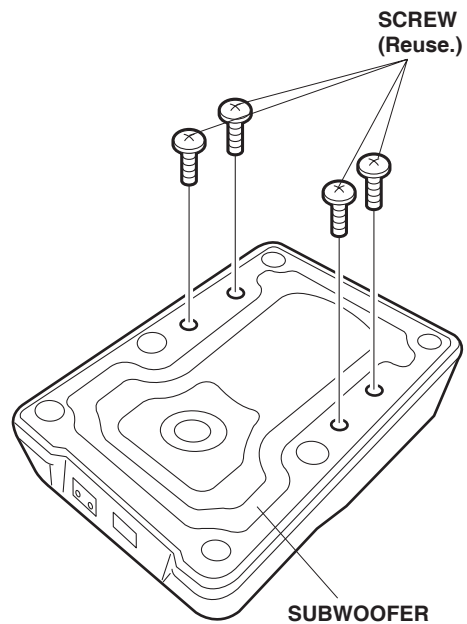
### Installing the Subwoofer

36. Using scissors, cut one cushion in half, then cut the cut piece in half again. Attach the cut pieces two halves to the subwoofer bracket.

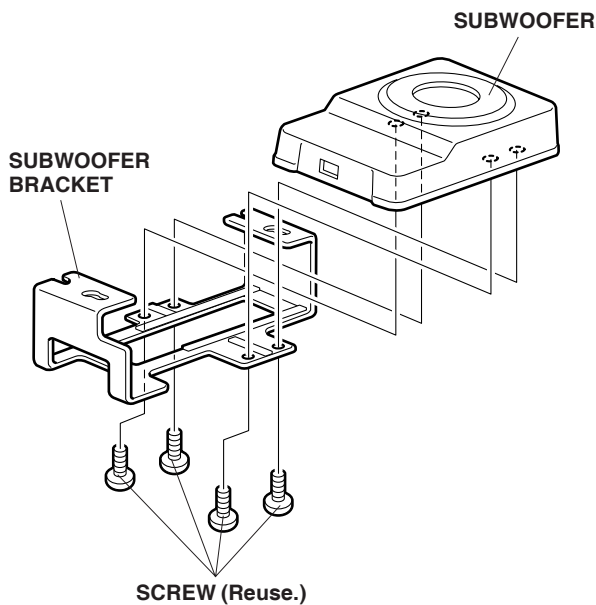


37. Attach two full cushions to the subwoofer bracket in the area shown.

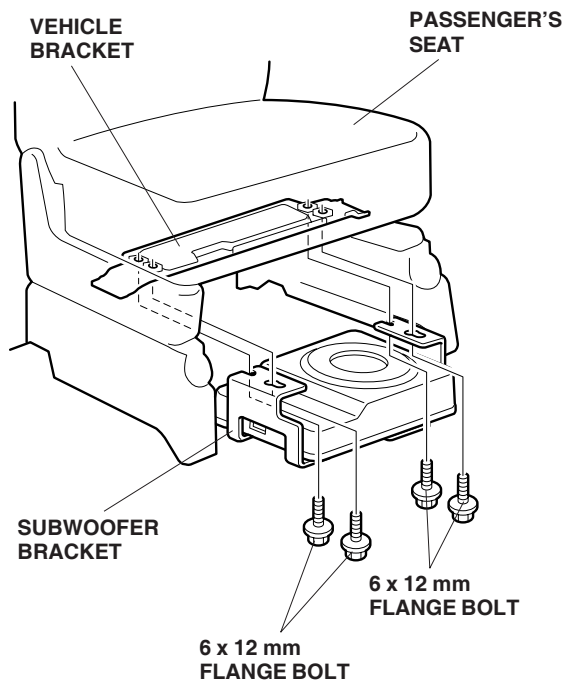
38. Remove and retain the four screws from the subwoofer.



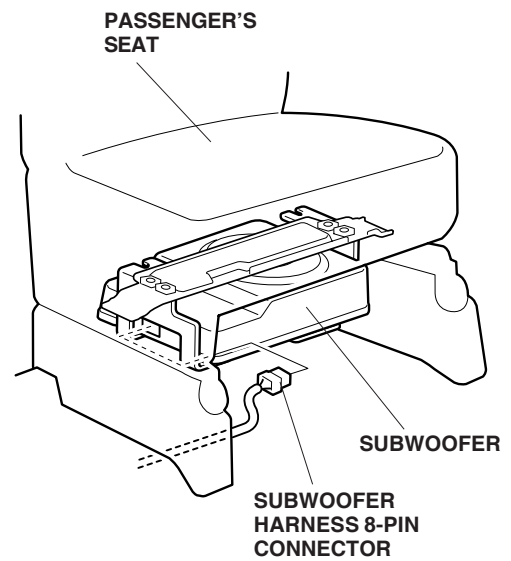
39. Secure the subwoofer to the subwoofer bracket with the four screws you removed.



40. Install the subwoofer assembly to the vehicle under the passenger's seat bracket using the bracket four 6 x 12 mm flange bolts.



41. Connect the 8-pin connector from the subwoofer harness to the subwoofer.



42. Check that all wire harnesses and cables are routed properly and that all connectors are plugged in.
43. Reconnect the negative cable to the battery.
44. Enter the customer's radio anti-theft code, then reset the radio station presets.
45. Reset the clock.
46. Check the operation of the subwoofer according to the owner's manual supplied with the subwoofer.
47. Reinstall all removed parts.
- NOTE:** Whenever the battery is disconnected, the driver's AUTO window function is disabled.
48. Start the engine. Push down on the driver's window switch until the window is fully open, then hold the switch for 2 seconds or more.
49. Pull up on the driver's window switch to close the window completely, then hold the switch for 2 seconds or more.
50. Test the AUTO window function.