



INSTALLATION INSTRUCTIONS

Accessory
FULL NOSE MASK
P/N 08P35-TK6-100B

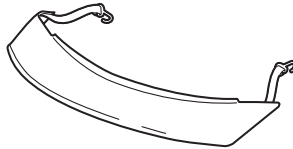
Application
2012 FIT

Publications No.
All 46798
Issue Date
AUG 2011

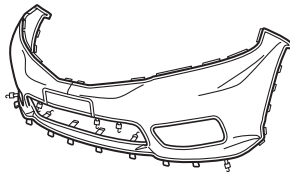
Put this information in the glove box with the vehicle owner's manual.

PARTS LIST

Mask
(hood section)



Mask
(bumper section)



2 Snap-screws



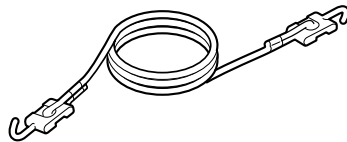
2 Washers



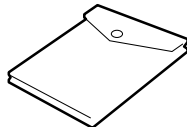
2 Spring nuts



Elastic cord



Storage bag



TOOLS AND SUPPLIES REQUIRED

Stubby Phillips screwdriver

Utility knife

INSTALLATION

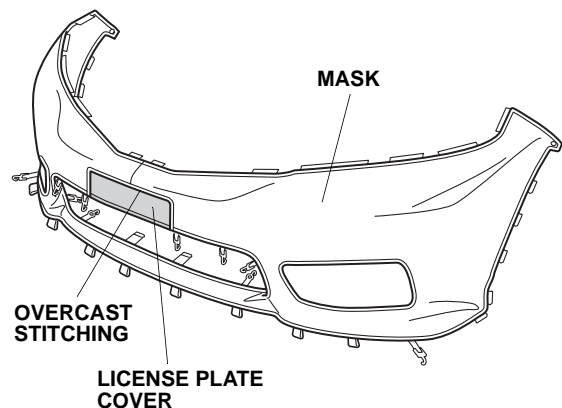
NOTE:

- Make sure the vehicle and the nose mask are clean and completely dry before installation. If moisture under the mask is allowed to dry, it may cloud the paint. If the mask gets wet, remove it and allow it to air-dry completely.
- Make sure any repainted surfaces are cured.
- Wax the hood and nose of the vehicle with a high-quality paste wax.
- Install the nose mask securely. If the nose mask starts to flap or comes loose while driving, safely pull off the highway, stop the vehicle, and secure or remove the mask.

Displaying the Front License Plate

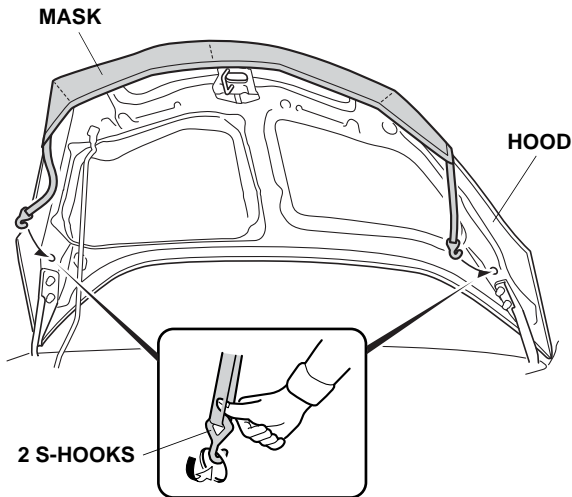
If your state law requires the display of both license plates, cut out the piece of the bumper section that covers the front license plate:

- Face the inside of the mask toward you.
- Carefully cut out the overcast stitching with a utility knife. Remove the stitching and the license plate cover.



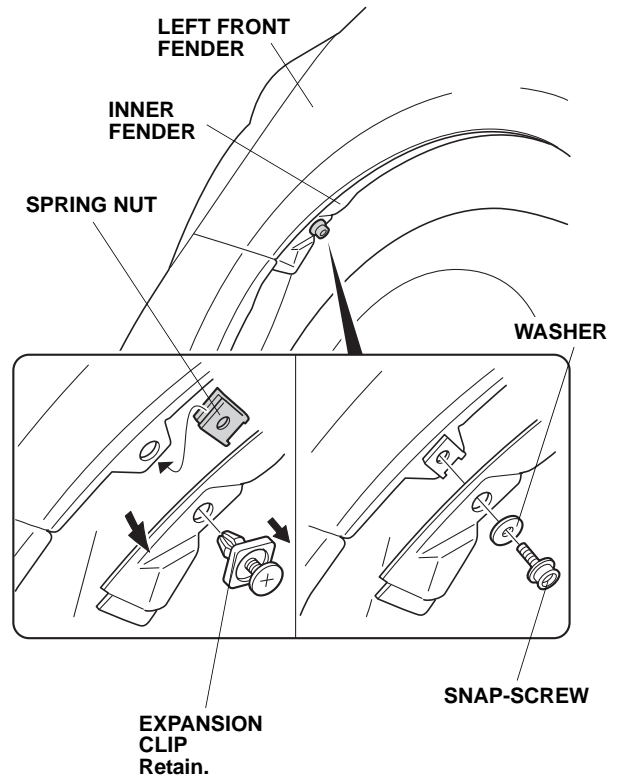
Installing the Hood Section

1. Open the hood. Fit the corners of the mask around the hood. Adjust the mask so that it fits smoothly over the edges. Attach two S-hooks to the hood by inserting your finger or thumb into the belt for each hook.



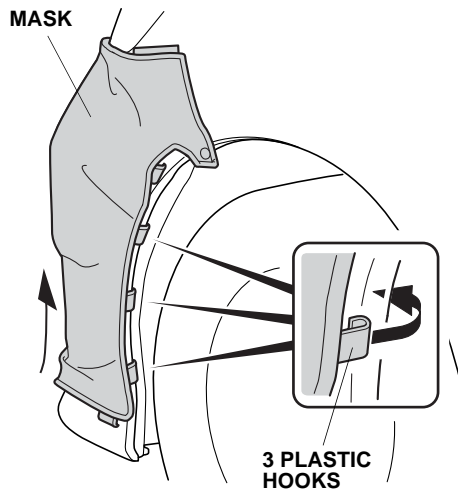
Installing the Bumper Section

2. Turn the steering wheel all the way clockwise.

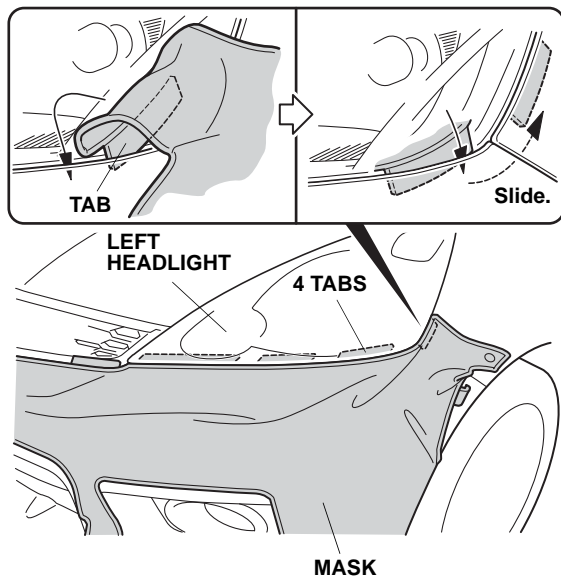


3. Remove the expansion clip from the inner fender, then clean the area around the hole.
4. Pull back the inner fender, and install a spring nut over the hole in the front fender.
5. Place a washer onto a snap-screw and install the snap-screw into the spring nut. Securely tighten the snap-screw.
6. Turn the steering wheel all the way counterclockwise, and repeat steps 3 through 5 to install a snap-screw on the right side of the vehicle.

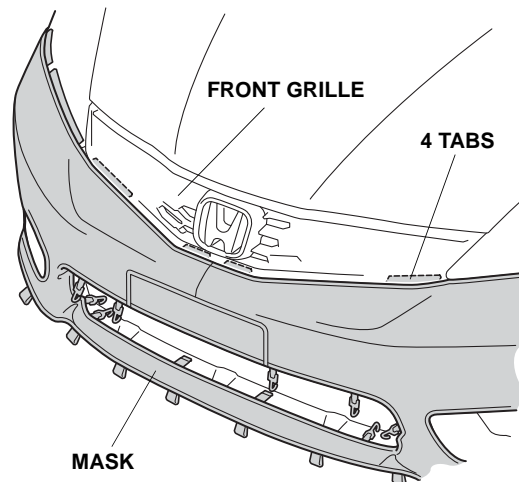
7. Attach three plastic hooks to the fenderwell. Pull up the mask.



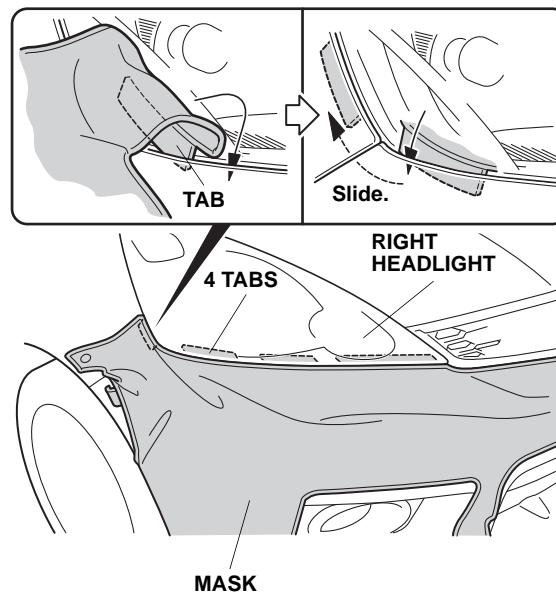
8. Attach the three plastic hooks to the right side of the vehicle.
9. Insert four tabs between the headlight and the bumper.



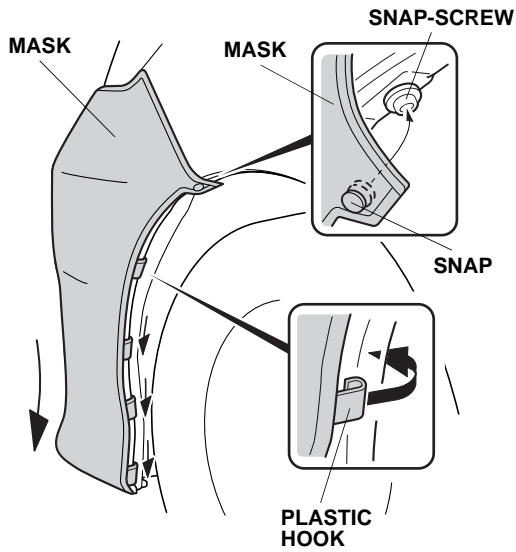
10. Insert four tabs between the front grille and the bumper.



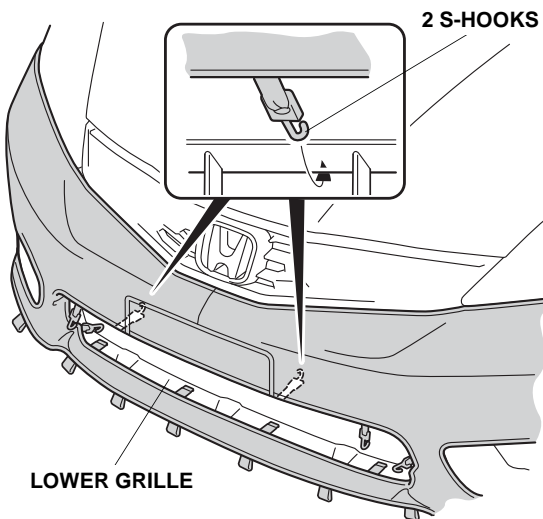
11. Insert four tabs between the headlight and the bumper.



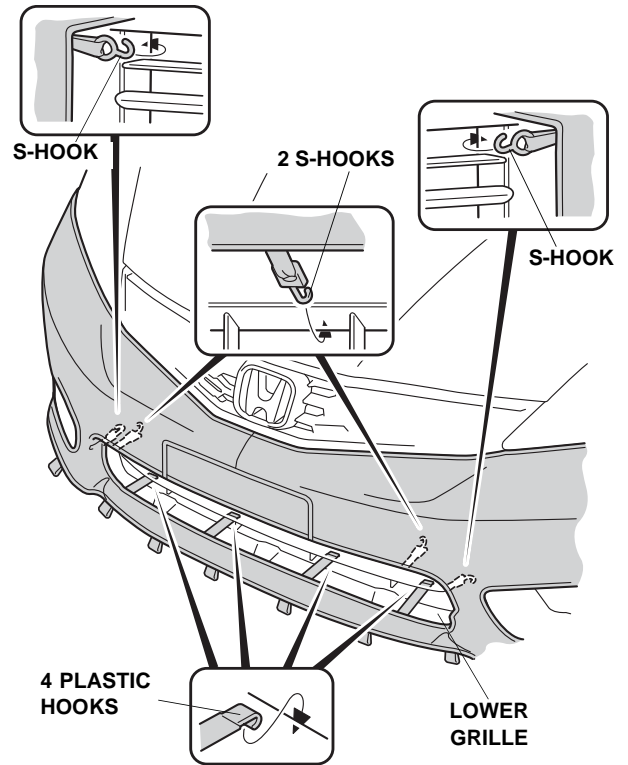
12. Pull the mask smooth, and secure the snap on the mask to the snap-screw. Attach the fourth plastic hook to the fenderwell.



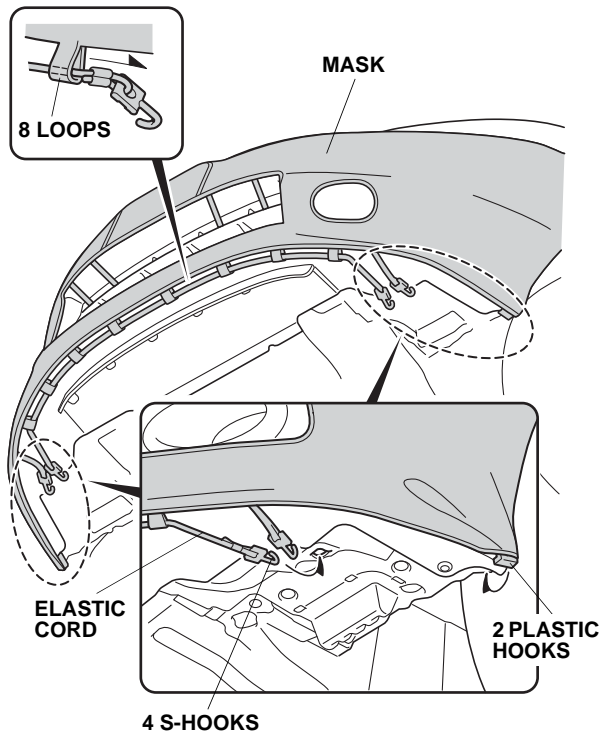
13. Pull the mask across the front bumper, smooth out any wrinkles, and secure the right side of the mask to the snap screw. Attach the fourth plastic hook.
14. Attach two S-hooks to the top edge of the lower grille opening.



15. Attach four S-hooks to the upper edge of the lower grille opening. Attach four plastic hooks to the bottom edge of the lower grille opening.



16. Route the elastic cord through the eight loops on the bottom of the mask. Attach two S-hooks and a plastic hook to the bottom of the bumper on each side.



17. Put these instructions and the two expansion clips removed in step 3 in the glove box.

CLEANING THE NOSE MASK

Use a sponge or cloth with a solution of mild liquid dishwashing soap and water to clean the vinyl and the flannel backing. Rinse the mask completely with clean water, and hang it to dry in direct sunlight. Make sure the mask is completely dry before you reinstall it.